

4

3

2

1

D

D

C

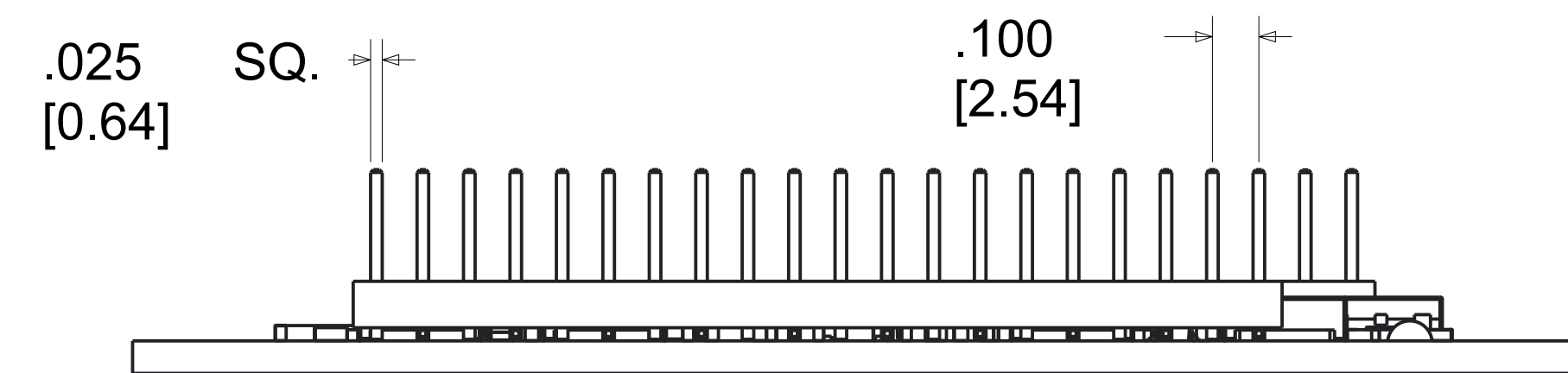
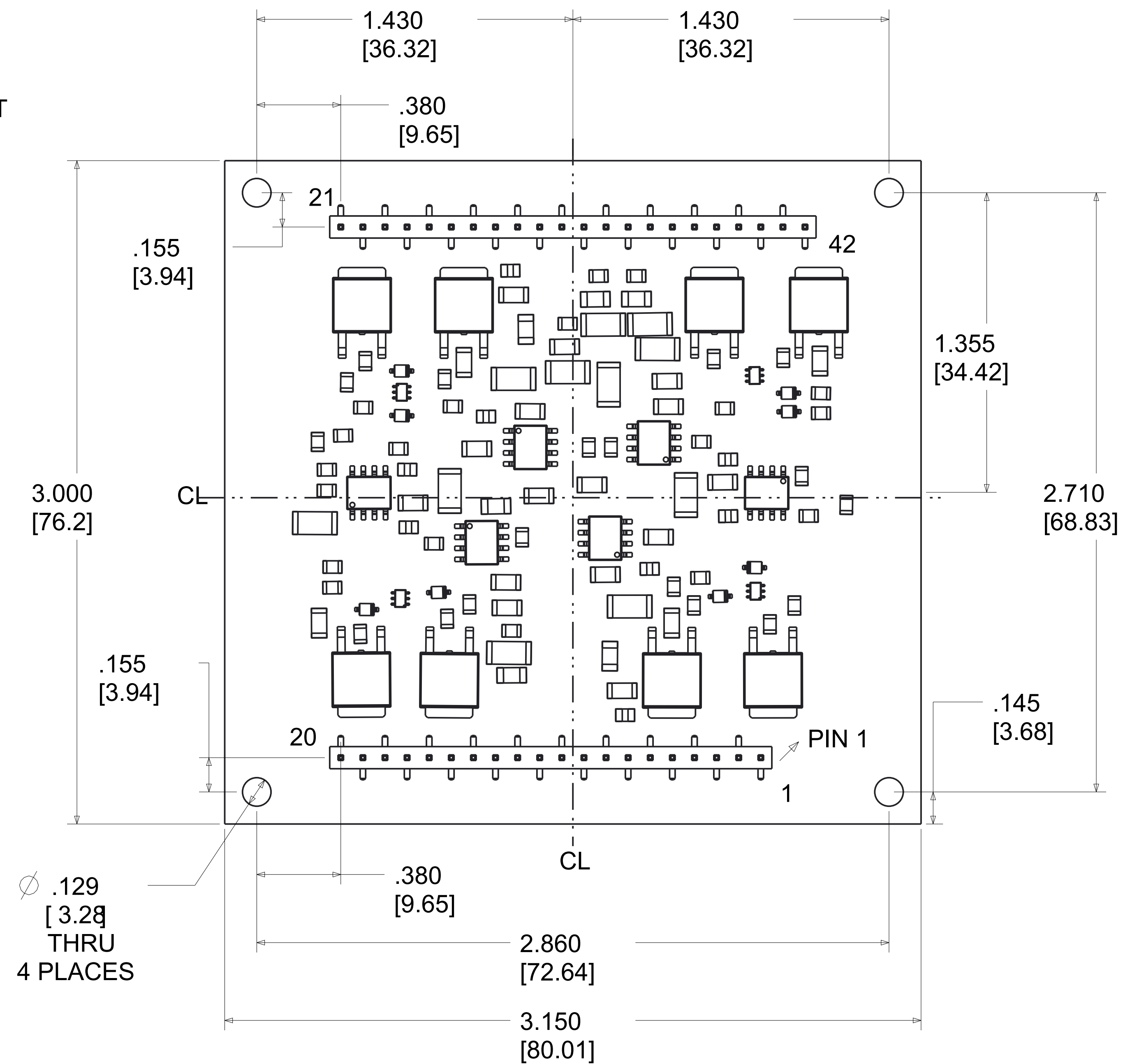
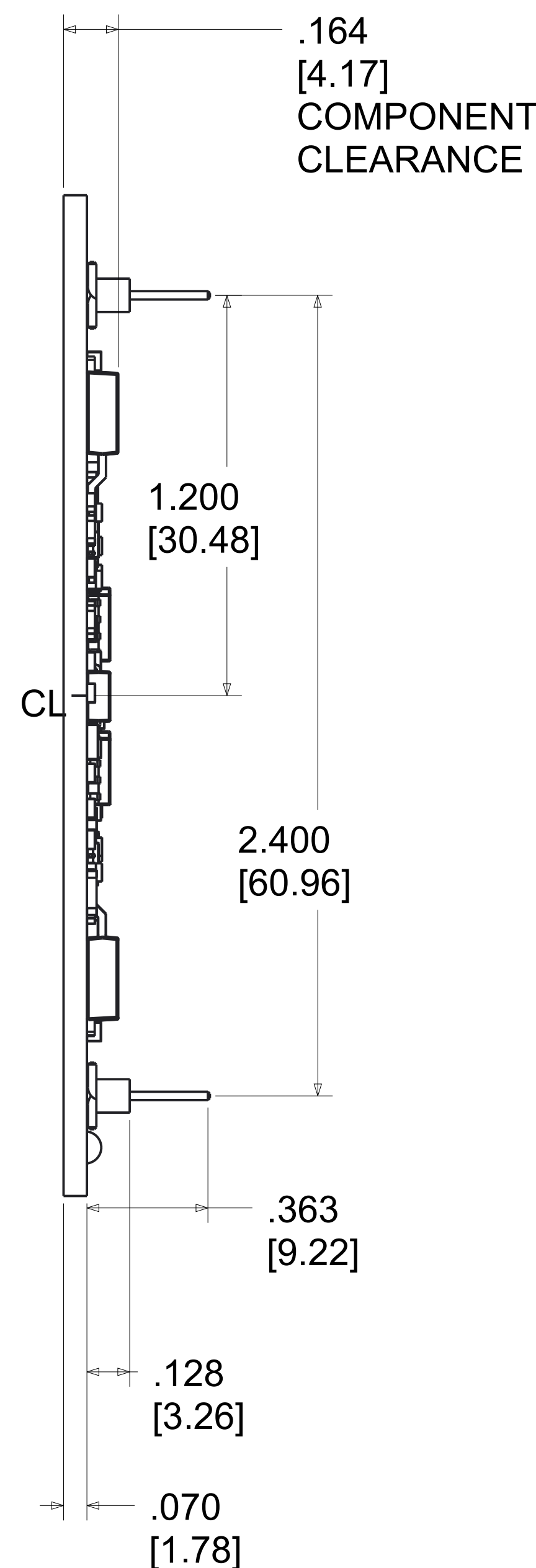
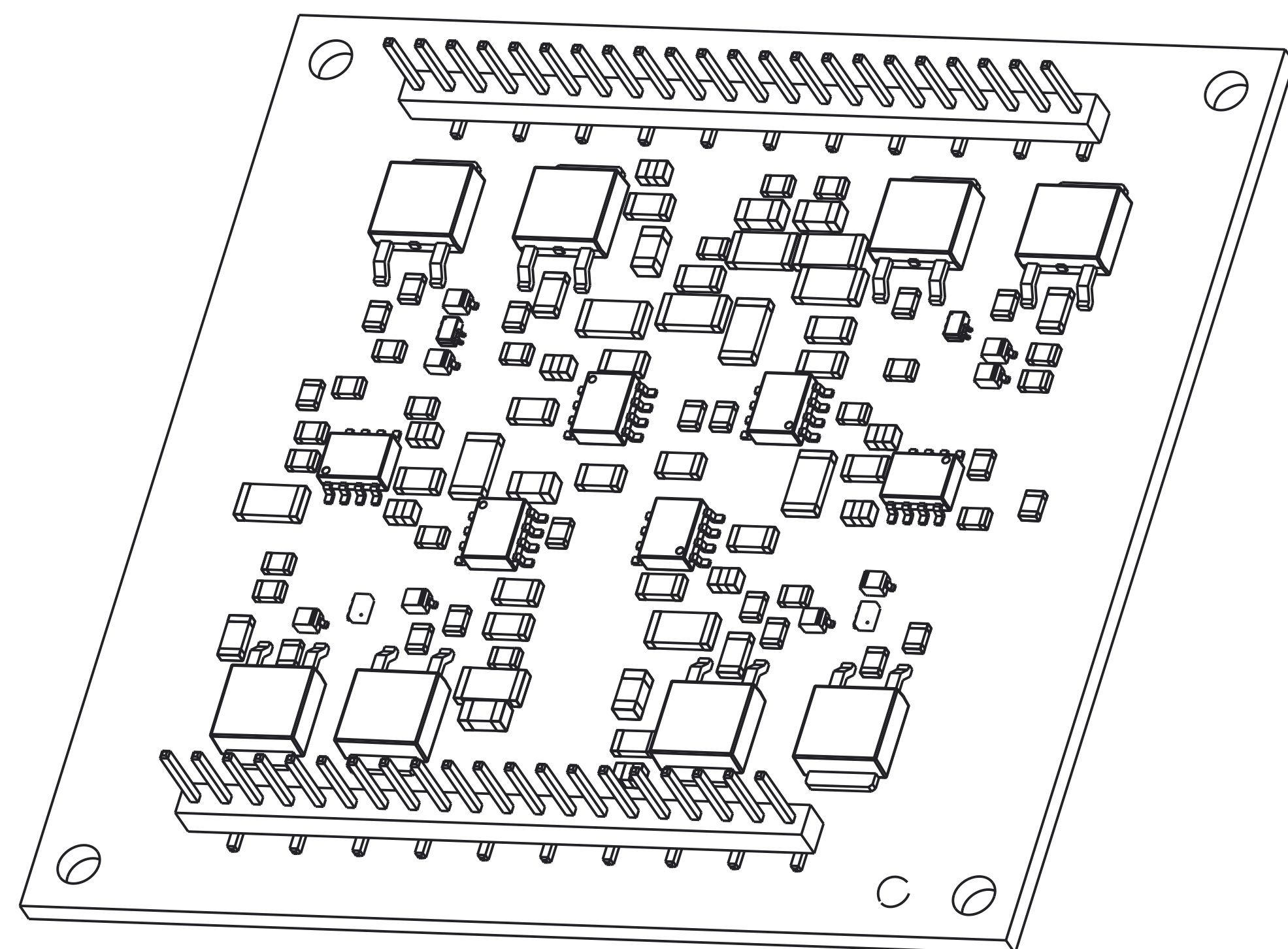
C

B

B

A

A



Notes:

- 1. Scale 2.80
- 2. Dimensions are in inches; alternate units are [mm].
- 3. Recommended PCB hole diameter for pins: 0.050[1.27].
- 4. 2oz. copper over 600V dielectric over aluminum substrate.
- 5. Tin over nickel plated phospher bronze pins.
- 6. It is not recommended that mounting of the package rely on the pins for mechanical support.

TOLERANCES - UNLESS OTHERWISE SPECIFIED	
.XX ± .01 [ .254]	
.XXX ± .005 [ .127]	
ANG. ± 5°	



TITLE: MODULAR 42-PIN DIP 2.4" SPACING				MODEL: KK	
SUBJECT: MECHANICAL DRAWING					
ENGINEER: J.LEITH	DRAWN BY: EAS	DCA: 16389	SH. 1	OF 1	FILENAME: KK
					REV: B
					DATE: 28SEP16

4

3

2

1